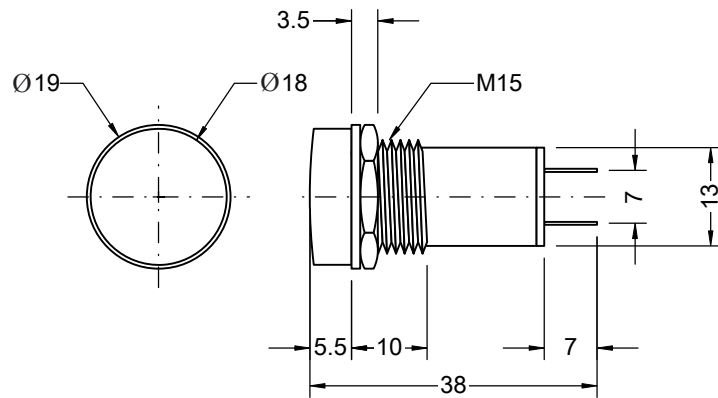


材 質 表

NO.	部品名稱 PART NAME	部品材質 MATERIAL
1	本體 HOUSING	壓克力 ACRYLIC
2	螺母 NUT	青銅 BRONZE
3	墊圈 WASHER	塑膠 plastics
4	底座 HOLDER	尼龍66+玻璃纖維
5	焊片 SOLDER	青銅 BRONZE
6	燈泡 LAMP	6X12+1/4W電阻



MODEL NO.

LAMP COLOR

<input type="checkbox"/>	WTN-10-1288/R/120V	RED
<input type="checkbox"/>	WTN-10-1288/O/120V	ORANGE
<input type="checkbox"/>	WTN-10-1288/G/120V	GREEN
<input type="checkbox"/>	WTN-10-1288/R/220V	RED
<input type="checkbox"/>	WTN-10-1288/O/220V	ORANGE
<input type="checkbox"/>	WTN-10-1288/G/220V	GREEN
<input type="checkbox"/>	WTN-10-1288P/R/6V	RED
<input type="checkbox"/>	WTN-10-1288P/O/6V	ORANGE
<input type="checkbox"/>	WTN-10-1288P/G/6V	GREEN
<input type="checkbox"/>	WTN-10-1288P/R/12V	RED
<input type="checkbox"/>	WTN-10-1288P/O/12V	ORANGE
<input type="checkbox"/>	WTN-10-1288P/G/12V	GREEN
<input type="checkbox"/>	WTN-10-1288P/R/24V	RED
<input type="checkbox"/>	WTN-10-1288P/O/24V	ORANGE
<input type="checkbox"/>	WTN-10-1288P/G/24V	GREEN

品名
TITLE

INDICATOR LIGHT N-812

單位
DIMENSION UNIT

m m

型號
MODEL NO.

WTN-10-1288 SERIES

比例
SCALE

1 : 1