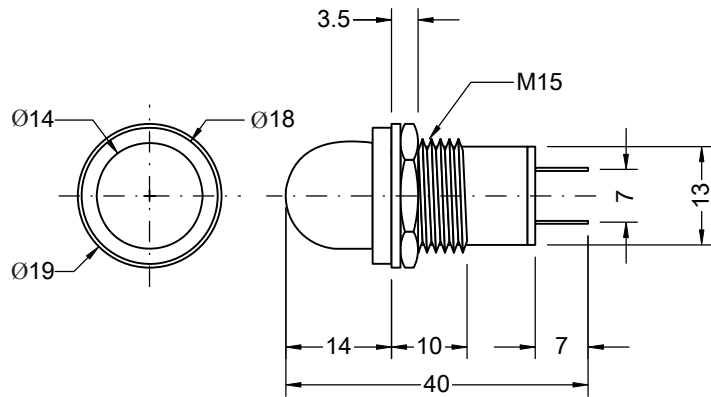


# 材 質 表

| NO. | 部品名稱 PART NAME | 部品材質 MATERIAL |
|-----|----------------|---------------|
| 1   | 本體 HOUSING     | 壓克力 ACRYLIC   |
| 2   | 螺母 NUT         | 青銅 BRONZE     |
| 3   | 墊圈 WASHER      | 塑膠 plastics   |
| 4   | 底座 HOLDER      | 尼龍66+玻璃纖維     |
| 5   | 焊片 SOLDER      | 青銅 BRONZE     |
| 6   | 燈泡 LAMP        | 6X12+1/4W電阻   |



## MODEL NO.

## LAMP COLOR

|                          |                     |        |
|--------------------------|---------------------|--------|
| <input type="checkbox"/> | WTN-10-1287R/120V   | RED    |
| <input type="checkbox"/> | WTN-10-1287O/120V   | ORANGE |
| <input type="checkbox"/> | WTN-10-1287GR/120V  | GREEN  |
| <input type="checkbox"/> | WTN-10-1287R/220V   | RED    |
| <input type="checkbox"/> | WTN-10-1287O/220V   | ORANGE |
| <input type="checkbox"/> | WTN-10-1287GR/220V  | GREEN  |
| <input type="checkbox"/> | WTN-10-1287P/R/6V   | RED    |
| <input type="checkbox"/> | WTN-10-1287P/O/6V   | ORANGE |
| <input type="checkbox"/> | WTN-10-1287P/GR/6V  | GREEN  |
| <input type="checkbox"/> | WTN-10-1287P/R/12V  | RED    |
| <input type="checkbox"/> | WTN-10-1287P/O/12V  | ORANGE |
| <input type="checkbox"/> | WTN-10-1287P/GR/12V | GREEN  |
| <input type="checkbox"/> | WTN-10-1287P/R/24V  | RED    |
| <input type="checkbox"/> | WTN-10-1287P/O/24V  | ORANGE |
| <input type="checkbox"/> | WTN-10-1287P/GR/24V | GREEN  |

品名  
TITLE

INDICATOR LIGHT N-809 SERIES

單位  
DIMENSION UNIT

m m

型號  
MODEL NO.

WTN-10-1287 SERIES

比例  
SCALE

1 : 1