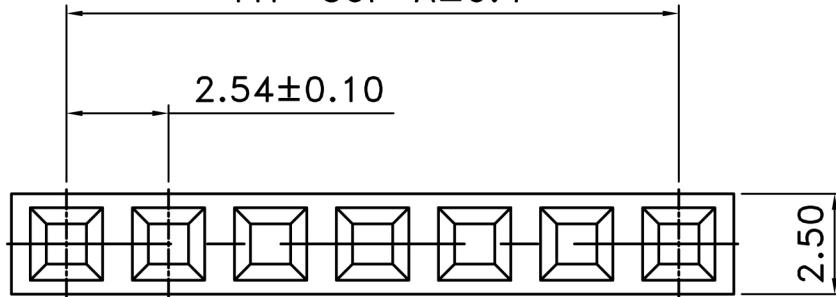
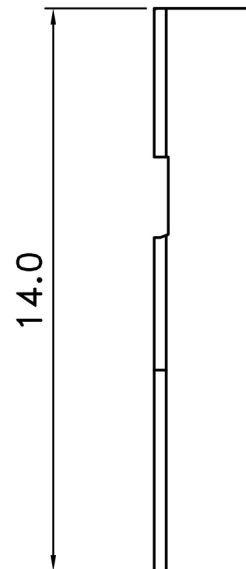
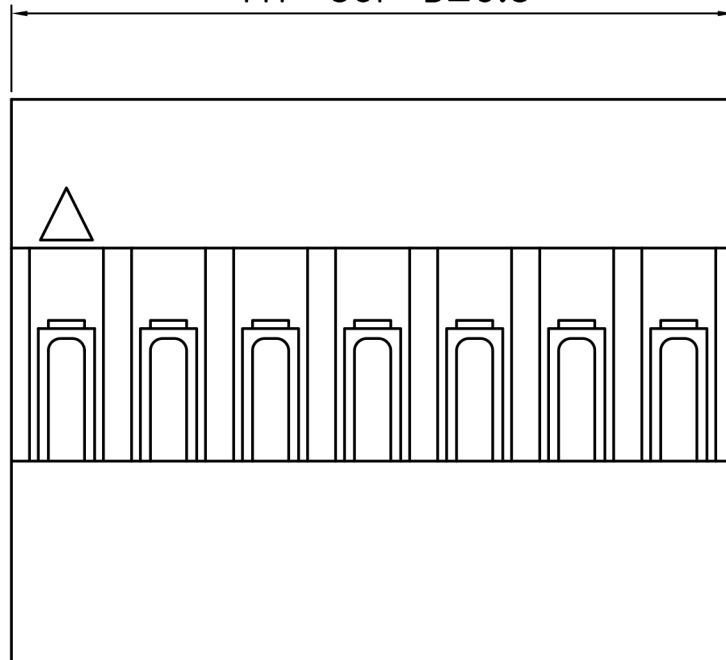


1P-30P A±0.25
 31P-40P A±0.3
 41P-50P A±0.4



1P-30P B±0.35
 31P-40P B±0.4
 41P-50P B±0.5

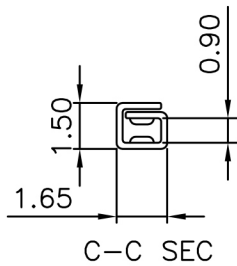
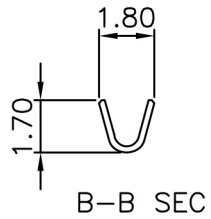
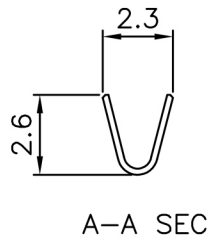
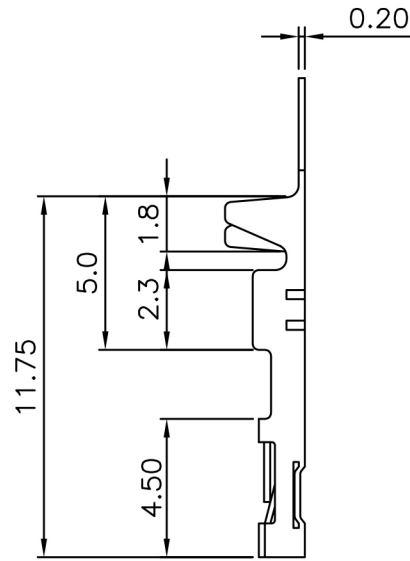
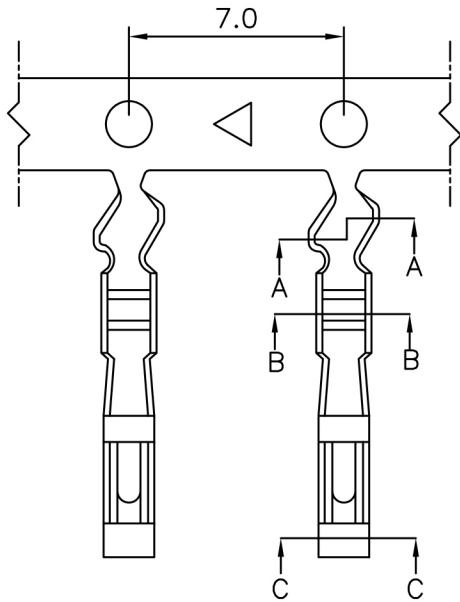


QI-xxx

■ SPECIFICATIONS

- Current Rating : 3A AC/DC
- Withstanding Voltage : 1000V AC/minute
- Insulation Resistance : 1000MΩ min
- Temperature Range : - 40°C to +105°C
- Contact Resistance : 20mΩ max

Poles	Dimensions(mm)		Poles	Dimensions(mm)	
	A	B		A	B
1	—	2.65	26	63.50	66.24
2	2.54	5.28	27	66.04	68.78
3	5.08	7.82	28	68.58	71.32
4	7.62	10.36	29	71.12	73.86
5	10.16	12.90	30	73.66	76.40
6	12.70	15.44	31	76.20	78.94
7	15.24	17.98	32	78.74	81.48
8	17.78	20.52	33	81.28	84.02
9	20.32	23.06	34	83.82	86.56
10	22.86	25.60	35	86.36	89.10
11	25.40	28.14	36	88.90	91.64
12	27.94	30.68	37	91.44	94.18
13	30.48	33.22	38	93.98	96.72
14	33.02	35.76	39	96.52	99.26
15	35.56	38.30	40	99.06	101.80
16	38.10	40.84	41	101.60	104.34
17	40.64	43.38	42	104.14	106.88
18	43.18	45.92	43	106.68	109.42
19	45.72	48.46	44	109.22	111.96
20	48.26	51.00	45	111.76	114.50
21	50.80	53.54	46	114.30	117.04
22	53.34	56.08	47	116.84	119.58
23	55.88	58.62	48	119.38	122.12
24	58.42	61.16	49	121.92	124.66
25	60.96	63.70	50	124.46	127.20



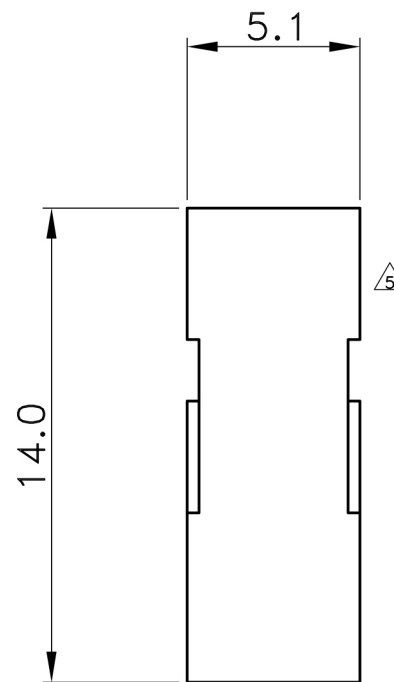
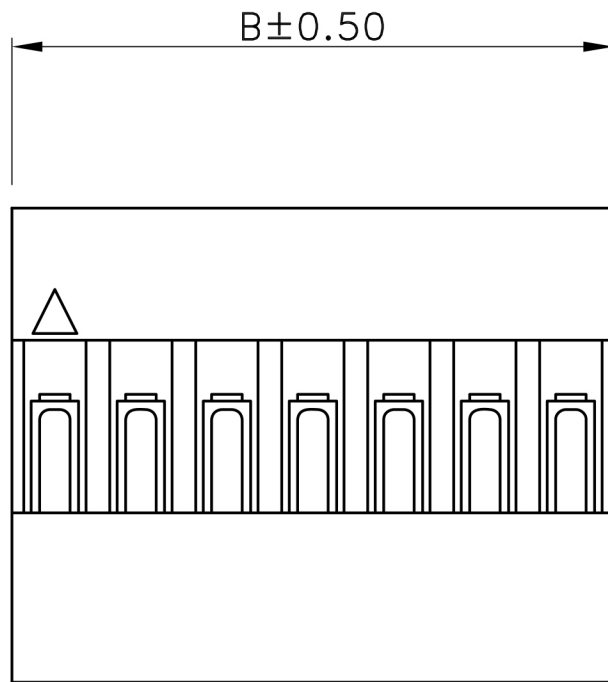
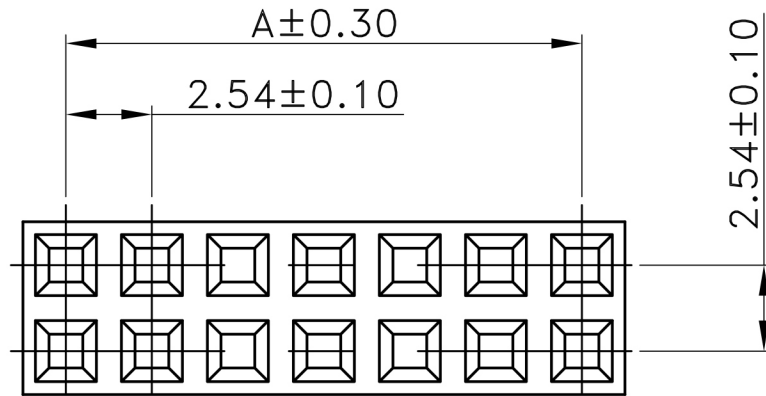
QI-ZU

■ SPECIFICATIONS

- Voltage Rating : 250 V AC/DC
- Current Rating : 3A AC/DC
- Withstanding Voltage : 1000V AC/minute
- Insulation Resistance : 1000M Ω min
- Temperature Range : - 20 $^{\circ}$ C to + 85 $^{\circ}$ C
- Contact Resistance : 20m Ω max

■ TERMINAL

- Applicable Wires : AWG# 22-28
- Material : Brass
- Finish : Tin Plated(Stamping Befoe Tin Plated)
- Thickness : 0.2mm
- Q' ty : 10000 pcs./Reel



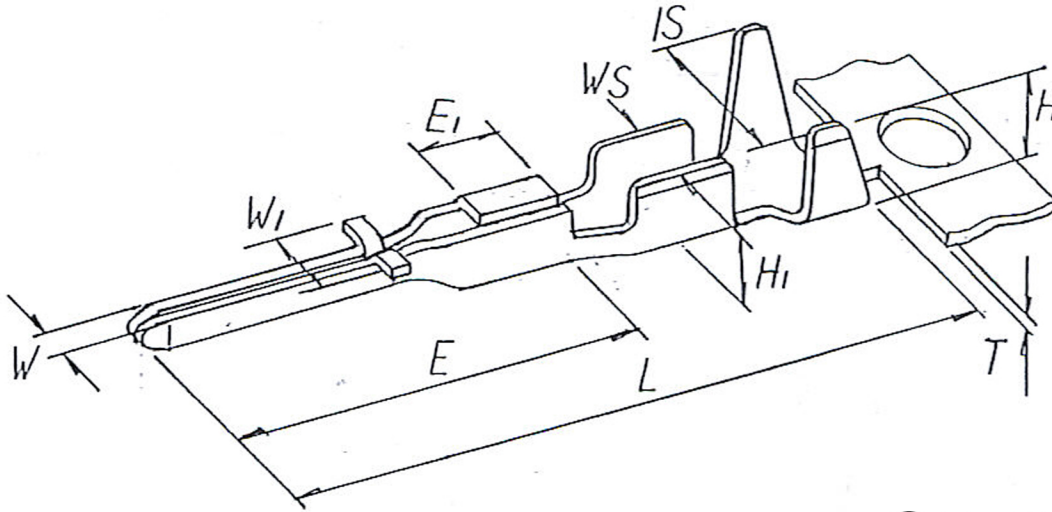
QII-xxx

■ SPECIFICATIONS

- Current Rating : 3A AC/DC
- Withstanding Voltage : 1,000V AC/minute
- Insulation Resistance : 1,000MΩ min.
- Temperature Range : - 40°C to + 105°C
- Contact Resistance : 20mΩ max.

Poles	Dimensions (mm)		Poles	Dimensions (mm)	
	A	B		A	B
4	2.54	5.08	44	53.34	55.88
6	5.08	7.62	46	55.88	58.42
8	7.62	10.16	48	58.42	60.96
10	10.16	12.70	50	60.96	63.50
12	12.70	15.24	52	63.50	66.04
14	15.24	17.78	54	66.04	68.58
16	17.78	20.32	56	68.58	71.12
18	20.32	22.86	58	71.12	73.66
20	22.86	25.40	60	73.66	76.20
22	25.40	27.94	62	76.20	78.74
24	27.94	30.48	64	78.74	81.28
26	30.48	33.02	66	81.28	83.82
28	33.02	35.56	68	83.82	86.36
30	35.56	38.10	70	86.36	88.90
32	38.10	40.64	72	88.90	91.44
34	40.64	43.18	74	91.44	93.98
36	43.18	45.72	76	93.98	96.52
38	45.72	48.26	78	96.52	99.06
40	48.26	50.80	80	99.06	101.60
42	50.80	53.34			

DRAWING OF FINISHED PRODUCTS



QI-PC

MATERIAL:BRASS

THICKNESS:0.2

HARDNESS:H

PLATING:GOLD FLASH

INSULATION O.D.:1.5 MAX.

WIRE RANGE:(AWG)24-28

RATED VOLTAGE:AC/250V,DC/350V

RATED CURRENT:AC,DC,3A

TEMPERATURE RANGE:-25°C TO +85°C

DIMENSION:(MM)

T:0.2±0.03

L:17.8±0.3

E:10.8±0.25

E1:1.9±0.1

W:0.64±0.03

W1:1.5±0.15

IS:2.3±0.25

WS:1.5±0.25

H:2.6±0.25

H1:1.8±0.25